

# SU Series Part Numbering



## Features

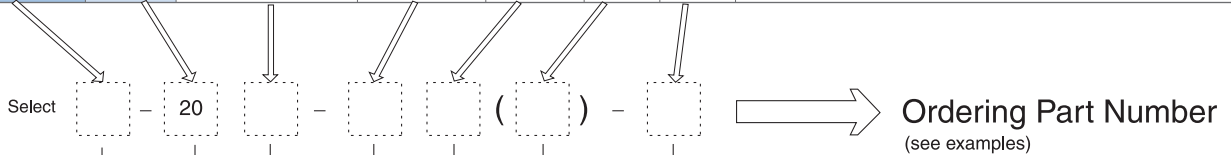
- Safe connection / Easy mounting
- Antenna Interface Standards Group(AISG) Specification
- Electromagnetic Protection
- Protection rating of IP67
- UL Recognized 
- IEC 61076-2-106 and AISG Specification

## Applications

- Electronic Precision Equipment
- Control Engineering
- Automation
- Medical

## Part Numbering

Series	Size	Body Type	No. of Contacts	Contact Type	Option		Notes
					PCB	Potting	
SU	20	SP	3,4,5,6 8,A5,12,14	P			Plug (Male Contact)
		P		S			Plug (Female Contact)
		SBR		S	●		Receptacle (Female Contact)
		SBR1		S	●	●	Receptacle (Female Contact)
		BR		P	●	●	Receptacle (Male Contact)
		SRB		S	●	●	Receptacle (Female Contact, Rear mount)
		SPR		S	●	●	Receptacle (Female Contact, Flange type)
		SPR2					
		SPR5					
		PR		P	●	●	Receptacle (Male Contact, Flange type)
		PR3					
		PR6		P	●	●	Receptacle (Male Contact, Long Flange type)



### Examples

- SU - 20SP - 3P  
SU series - Size 20 Plug - 3 Male Contact
- SU - 20P - 8S  
SU series - Size 20 Plug - 8 Female Contact
- SU - 20SBR - 12S  
SU series - Size 20 Receptacle - 12 Female Contact
- SU - 20BR - 8P (PCB)  
SU series - Size 20 Receptacle - 8 PCB termination Contact

### Connector Series

SU 20 Series(IP67 type)

### Body Type

- SP : Plug
- P : Plug
- SBR : Receptacle
- SBR1 : Receptacle
- BR : Receptacle
- SRB : Receptacle, Rear mount
- SPR : Receptacle, Flange type
- SPR2 : Receptacle, Flange type
- SPR5 : Receptacle, Flange type
- PR : Receptacle, Flange type
- PR3 : Receptacle, Long Flange type
- PR6 : Receptacle, Long Flange type
- BRC : Receptacle cap (accessory)
- SBRC : Receptacle cap (accessory)

### No. of Contacts

3,4,5,6,8,12,14

### Contact Type

- P : Male
- S : Female
- None : Receptacle cap

### Contact Option(for receptacle)

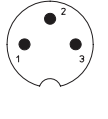

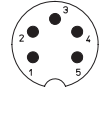
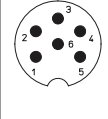
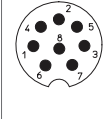
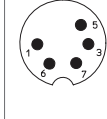
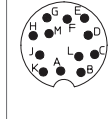
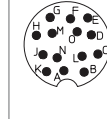
PCB : PCB contact termination

### Potting Option

- 1 : Silicon
- 2 : Epoxy

Specifications subject to change without notice. Consult Sam Woo Electronics for the latest specifications.

■ Major Performance / Contact Arrangements

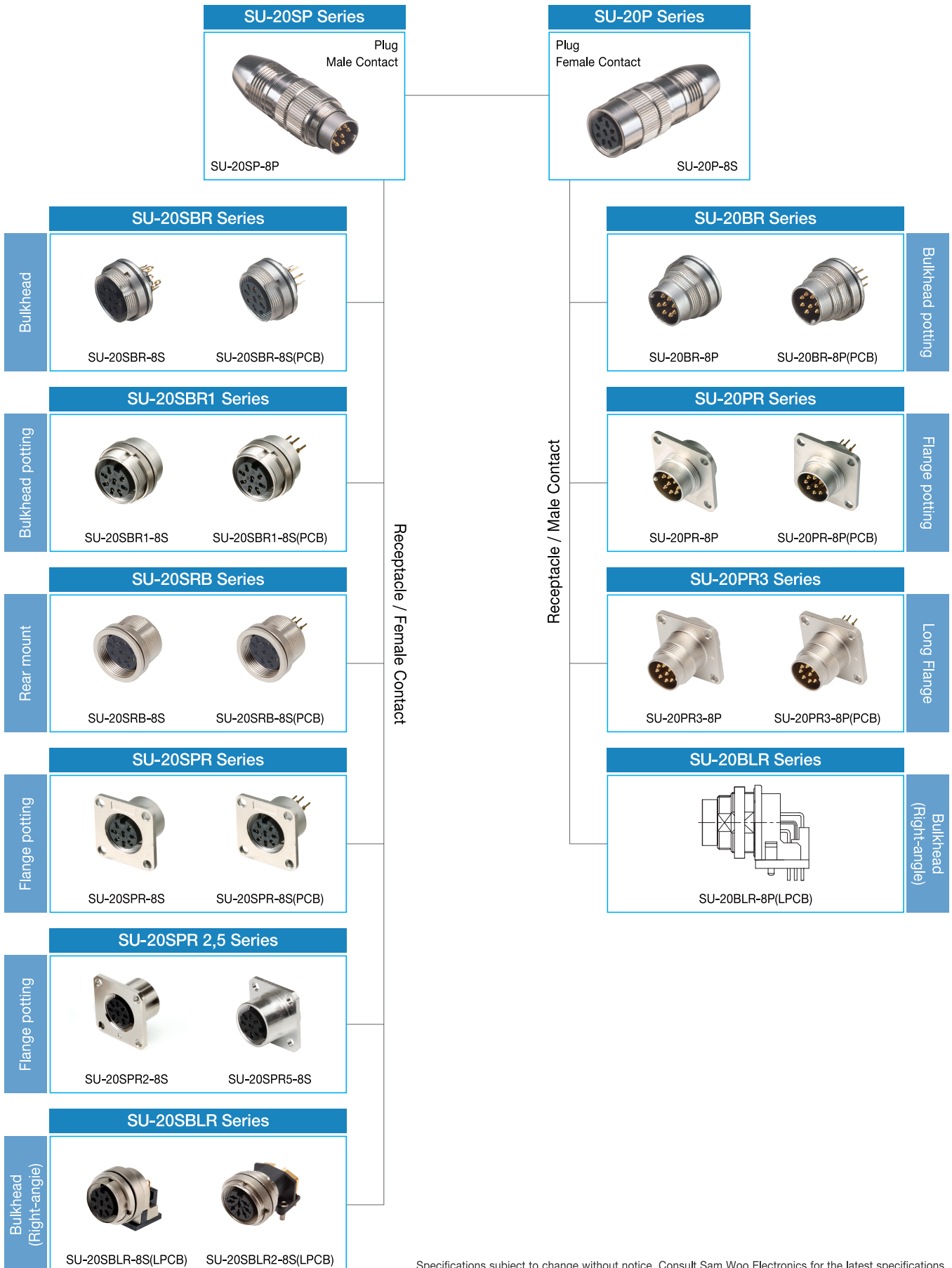
Performance	Size 20							
	3	4	5	6	8	A5	12	14
Contact Arrangement								
Rated Voltage	250V						60V	
Rated Current(40℃)	5A						3A	
Rated Impulse Withstand Voltage	1200V						1000V	
Insulation Resistance	> 10 <sup>10</sup> Ω							
Contact Resistance	< 5m Ω							
Wire Gauge(Maximum)	0,75mm <sup>2</sup> (AWG 20)						0,25mm <sup>2</sup> (AWG 24)	
Cable Diameter	ø 4 ~ ø 8							
Temperature Range	- 40℃ ~ +85℃							
IP Protection Rating	IP67							

- ! <sup>1</sup> Withstanding voltage is the tested voltage value.
- <sup>2</sup> Insulation resistance is measured at DC 100V.
- <sup>3</sup> Contact resistance is measured at DC 1A.
- Specifications subject to change without notice.
- Consult Sam Woo Electronics for the latest specifications.
- <sup>4</sup> Connector contact arrangement is from solder pot(plug).

■ Material Used / Finish

	Material	Finish
Body	Zinc Alloy, Brass Aluminum	Ni Plating
Insulator	PA	Black
Contacts	Male	Brass
	Female	Phosphor bronze

## SU Series Mini-map

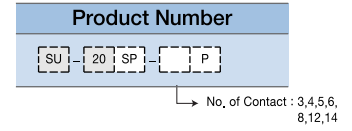
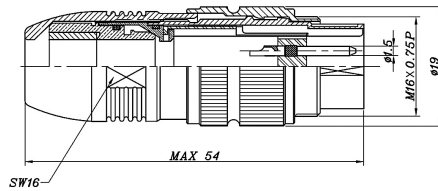


Specifications subject to change without notice. Consult Sam Woo Electronics for the latest specifications.

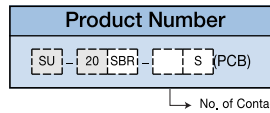
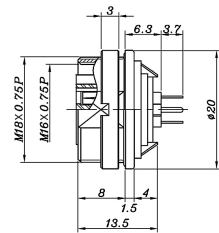
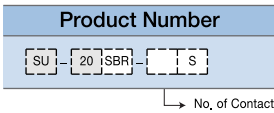
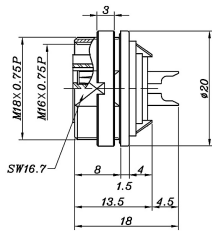


# SU Series Plug, Receptacle(Solder / PCB type)

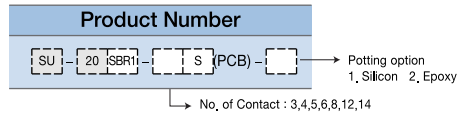
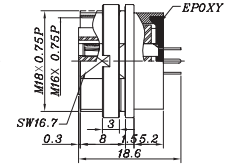
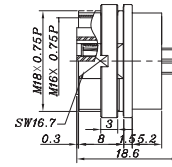
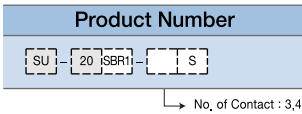
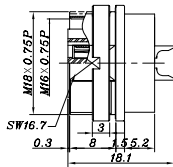
## ■ SU-20SP Series



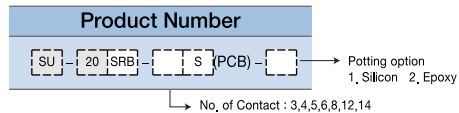
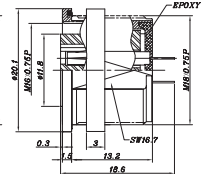
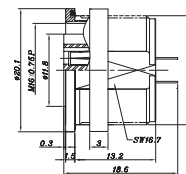
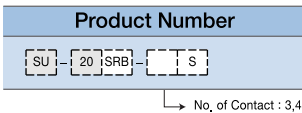
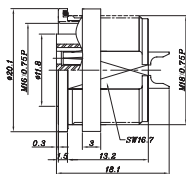
## ■ SU-20SBR Series | Bulkhead



## ■ SU-20SBR1 Series | Bulkhead, Potting



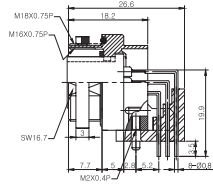
## ■ SU-20SRB Series | Rear mount



Specifications subject to change without notice. Consult Sam Woo Electronics for the latest specifications.



SU-20SBLR-8S(LPCB)



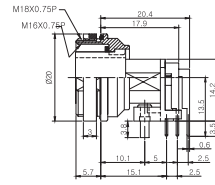
Product Number

SU - 20 SBLR - S (LPCB)

No. of Contact : 3,4,5,6,8,12,14



SU-20SBLR2-8S(LPCB)



Product Number

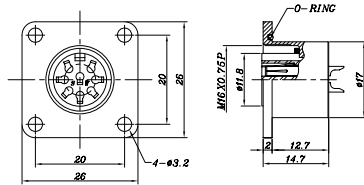
SU - 20 SBLR2 - S (LPCB)

No. of Contact : 3,4,5,6,8,12,14

■ SU-20SPR Series | Flange, Potting



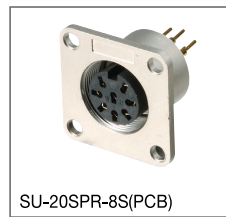
SU-20SPR-8S



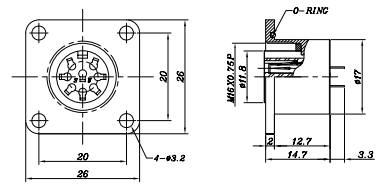
Product Number

SU - 20 SPR - S

No. of Contact : 3,4,5,6,8,12,14



SU-20SPR-8S(PCB)



With Epoxy

Product Number

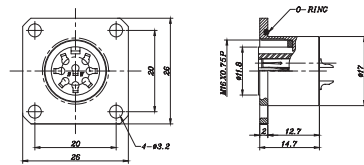
SU - 20 SPR - S (PCB) -

Potting option  
1, Silicon 2, Epoxy

No. of Contact : 3,4,5,6,8,12,14



SU-20SPR2-8S



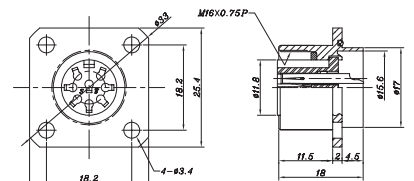
Product Number

SU - 20 SPR2 - S

No. of Contact : 3,4,5,6,8,12,14



SU-20SPR5-8S



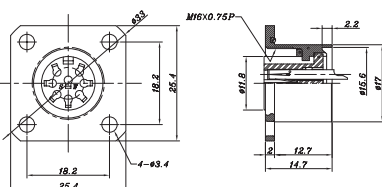
Product Number

SU - 20 SPR5 - S

No. of Contact : 3,4,5,6,8,12,14



SU-20SPR6-8S



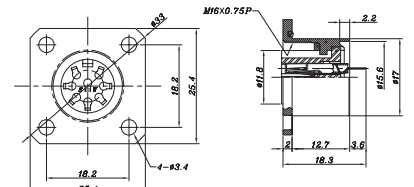
Product Number

SU - 20 SPR6 - S

No. of Contact : 3,4,5,6,8,12,14



SU-20SPR6-8S(PCB)



Product Number

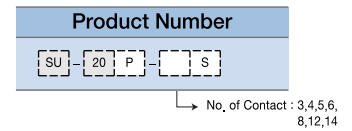
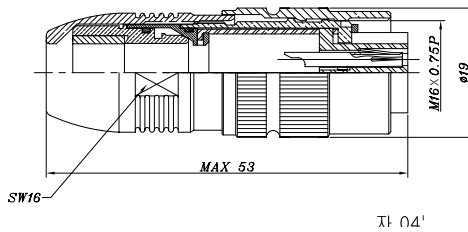
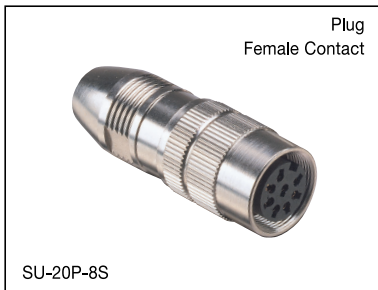
SU - 20 SPR6 - S

Potting option  
1, Silicon 2, Epoxy

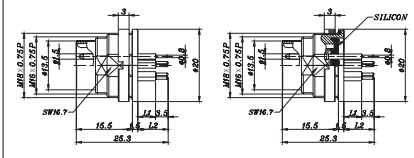
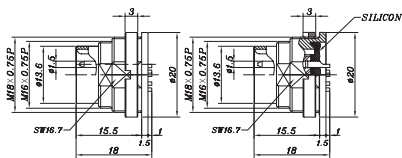
No. of Contact : 3,4,5,6,8,12,14

# SU Series Plug, Receptacle(Solder / PCB type)

## ■ SU-20P Series

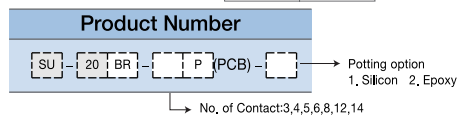
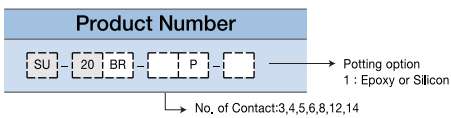


## ■ SU-20BR Series | Bulkhead, Potting

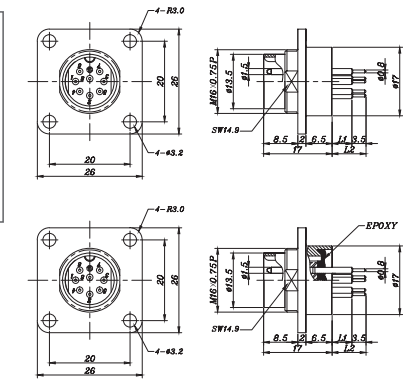
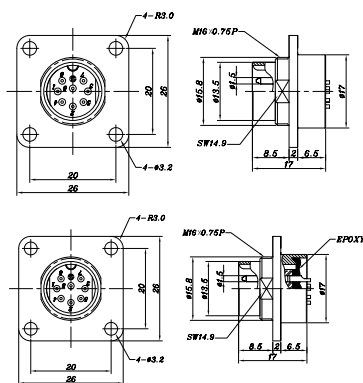


L1 and L2 customizable upon request.

L <sub>1</sub>	L <sub>2</sub>
4,8	8,4

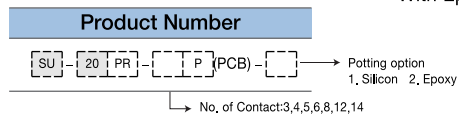
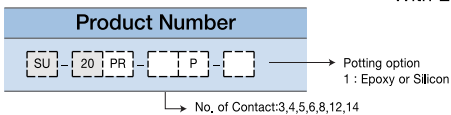


## ■ SU-20PR Series | Flange, Potting



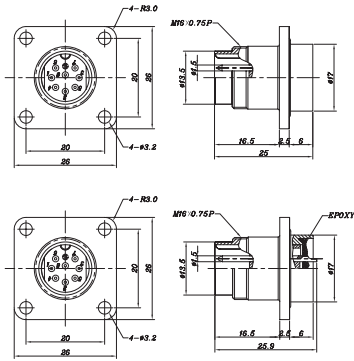
L1 and L2 customizable upon request.

L <sub>1</sub>	L <sub>2</sub>
4,8	8,4

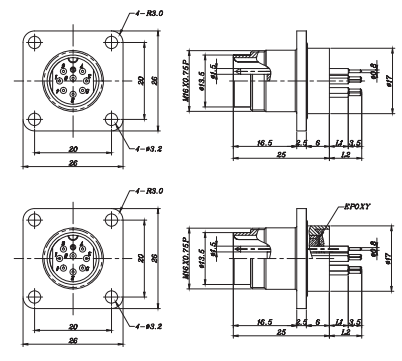
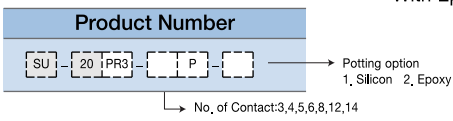


Specifications subject to change without notice. Consult Sam Woo Electronics for the latest specifications.

■ SU-20PR3 Series | Flange, Potting



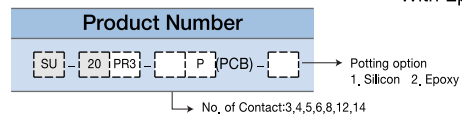
With Epoxy



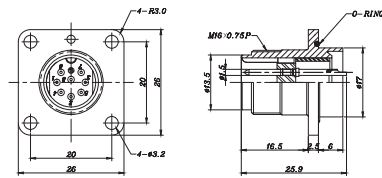
L1 and L2 customizable upon request.

L <sub>1</sub>	L <sub>2</sub>
4,8	8,4

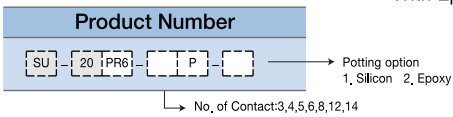
With Epoxy



■ SU-20PR6 Series



With Epoxy





# SU Series Cable Assembly for Plug



## Features

- AISG 1,1/2,0 Protocol
- Protection rating of IP 67/IP68
- Available in UL 20549
- Female to Female, Male to Male, Female to Male
- Available in 1m to 100 m
- RoHS Compliant
- PVC Free
- IEC 61076-2-106 and AISG Specification

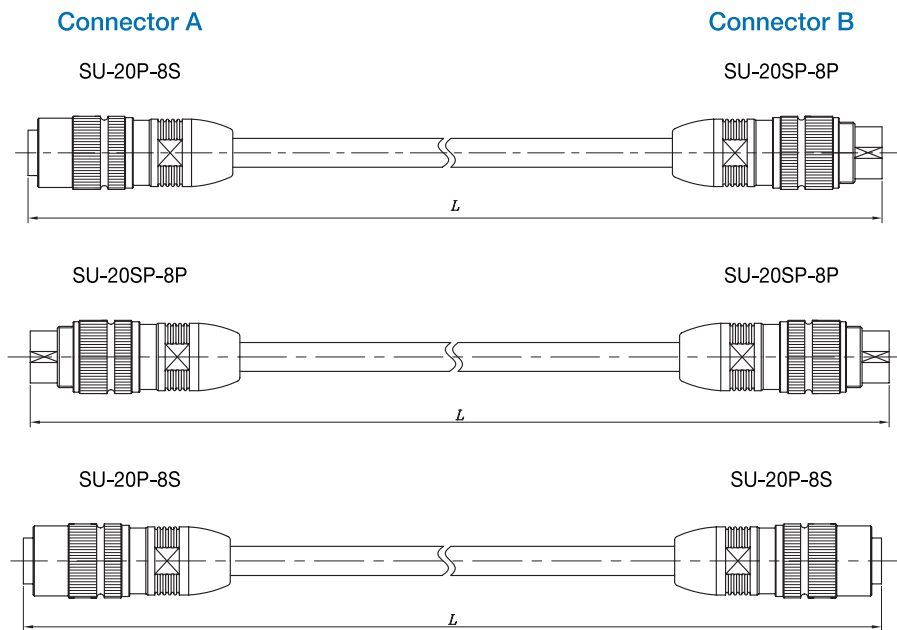
## Applications

- Telecommunication
- RET Control Cable
- Adapter Cable
- General Industrial

## ■ Plug Cable Assembly

Connector A		Connector B		Cable Length, L(m)	Product Number
SU-20SP-8P	Male contact	SU-20P-8S	Female contact	1m ~ 100m	SW - 4509 - ***
SU-20SP-8P	Male contact	SU-20SP-8P	Male contact	1m ~ 100m	SW - 4510 - ***
SU-20P-8S	Female contact	SU-20P-8S	Female contact	1m ~ 100m	SW - 4994 - ***

\* The last three digits of product number indicates cable length, Cable length can be customized,



Specifications subject to change without notice, Consult Sam Woo Electronics for the latest specifications.



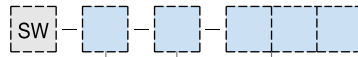
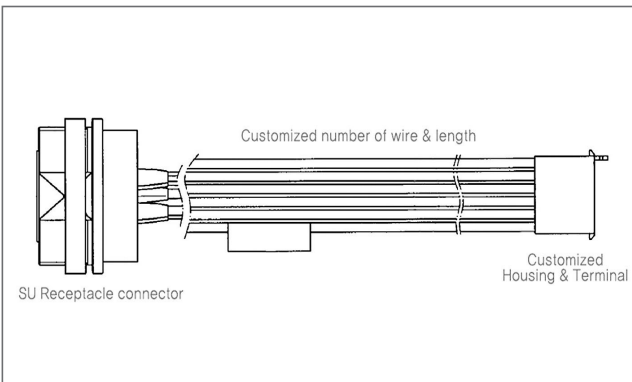
### Features

- IP 67/IP68 with Epoxy
- UL1569, UL1015, UL 1431
- Plastic/Metal Caps Available

### Applications

- CCU (Central Control Unit)
- RCU (Remote Control Unit)
- Junction Box
- Lightning Protection Unit
- Actuator

### ■ Part Numbering



**Drawing Number**  
**Optional Suffix (Omissible)**  
 1,2,3  
 To indicate modification of original  
**Cable Length : 3 Digits**  
 Unit Plug : m  
           Recep : cm  
 Ex) Using 3m Cable for Plug : 003  
       Using 30cm Cable for Recep : 030

### ■ Cable Assembly for Receptacle



**Female Contact Receptacle Cable Assembly**

Type	Construction
A	Female Contact Receptacle + Wire + Housing & Terminal
B	Female Contact Flange Receptacle + Wire + Housing & Terminal
C	Female Contact Flange Receptacle + Wire(Short) + Housing & Terminal

※ Design and Customization Service Available



**Male Contact Receptacle Cable Assembly**

Type	Construction
D	Male Contact Receptacle + Wire + Housing & Terminal
E	Male Contact Receptacle + Wire (Short) + Housing & Terminal

※ Design and Customization Service Available

## ■ Protecting Caps for SU series

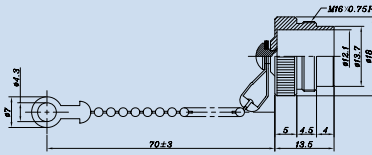


SU Female Contact type Receptacle



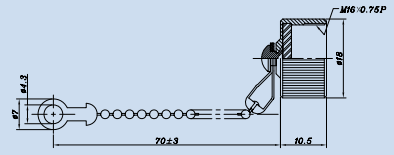
SU Male Contact type Receptacle

### SU-20SBRC, SU-20SBRC1



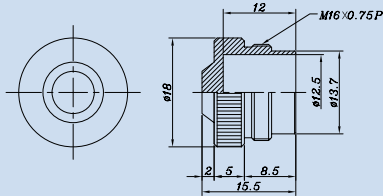
• SU-20SBRC1 : Long chain type (120mm)

### SU-20BRC, SU-20BRC1

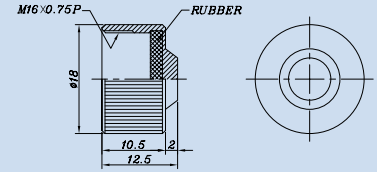


• SU-20BRC1 : Long chain type (100mm)

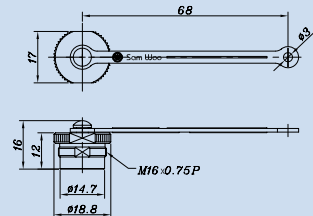
### SU-20SBRC2



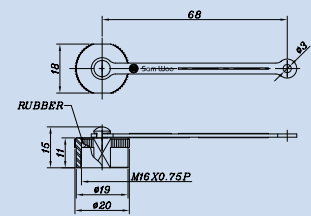
### SU-20BRC2



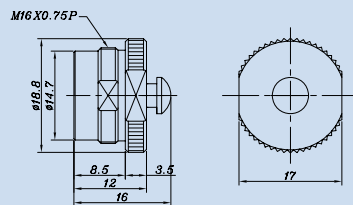
### SU-20SBRC4



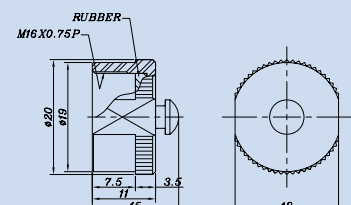
### SU-20BRC4



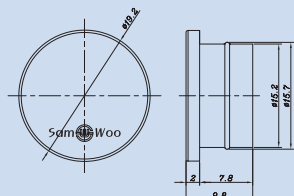
### SU-20SBRC5



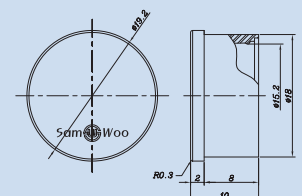
### SU-20BRC5



### SU-20SBR-DUST CAP

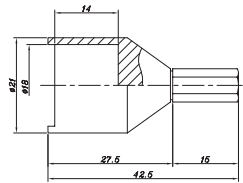
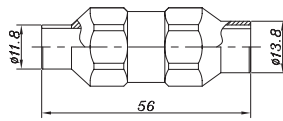
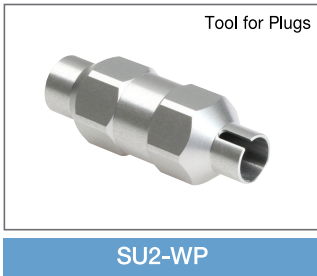
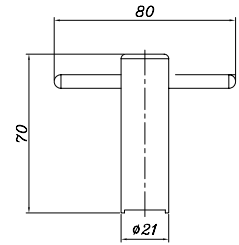
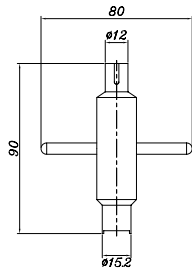


### SU-20BR-DUST CAP

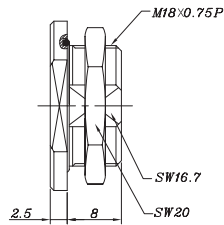
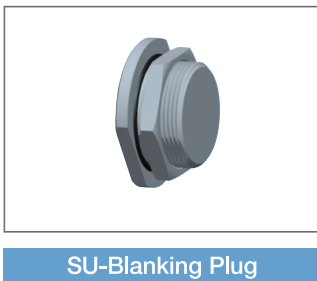


Specifications subject to change without notice. Consult Sam Woo Electronics for the latest specifications.

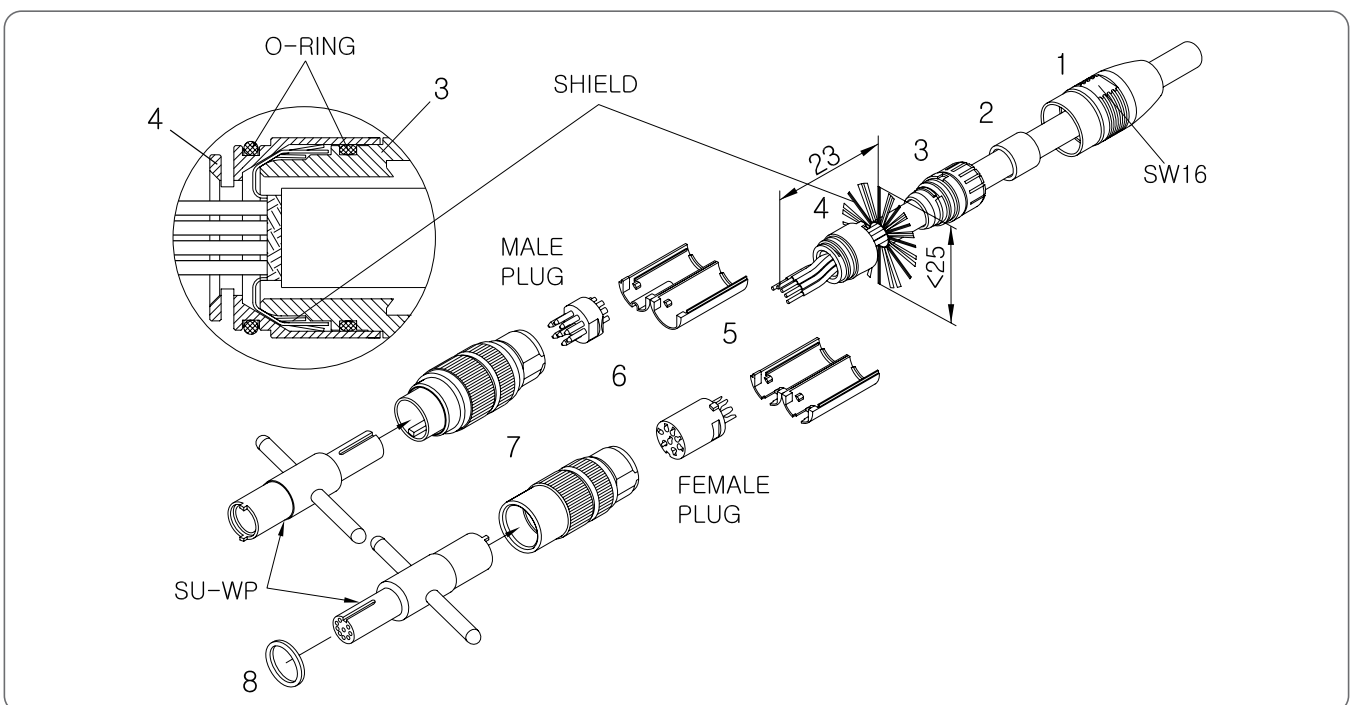
■ Tool for SU series



■ Below should go under Accessories



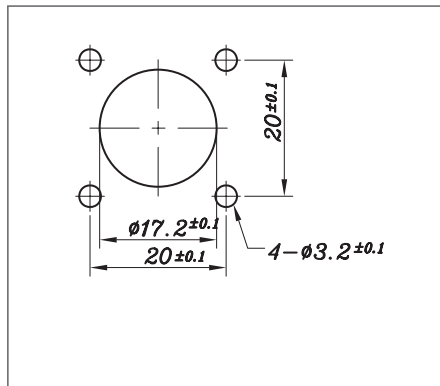
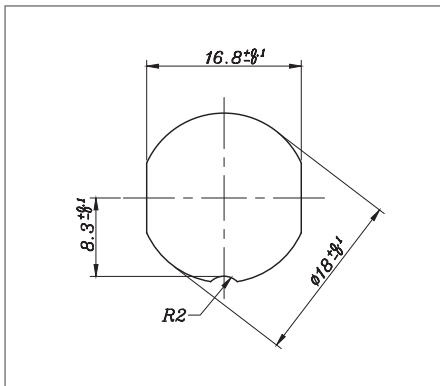
■ SU Cable Assembly Instruction



Specifications subject to change without notice. Consult Sam Woo Electronics for the latest specifications.

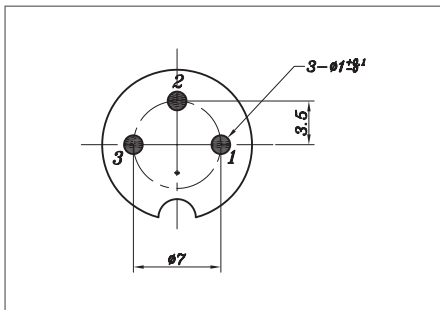
# SU Series

## ■ Panel Layout

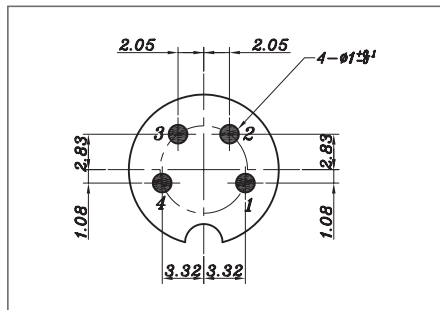


## ■ PCB Layout

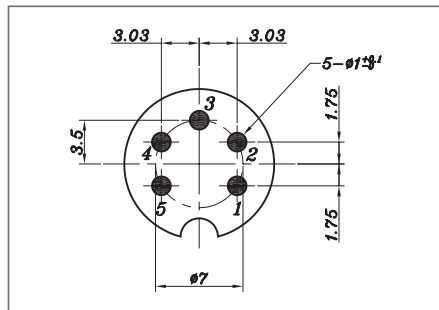
20 Size - 3 Core



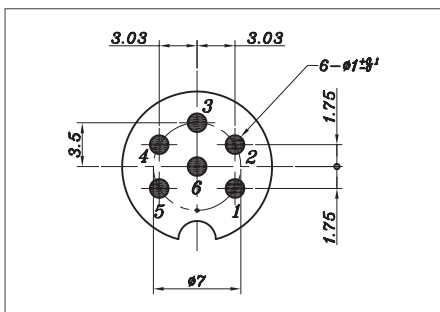
20 Size - 4 Core



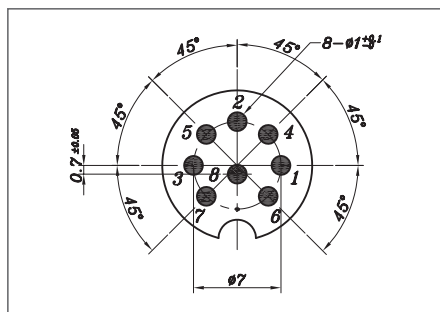
20 Size - 5 Core



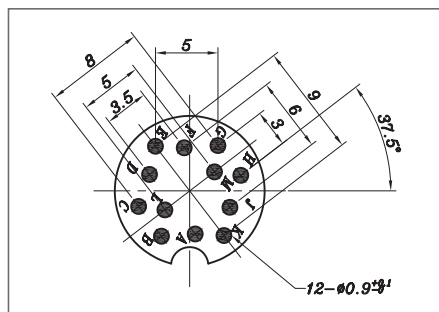
20 Size - 6 Core



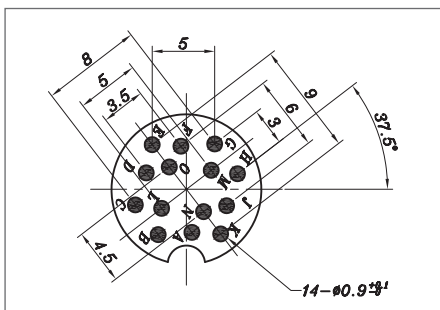
20 Size - 8 Core



20 Size - 12 Core



20 Size - 14 Core



Specifications subject to change without notice. Consult Sam Woo Electronics for the latest specifications.

