

SCN / SCK Series Part Numbering



Features

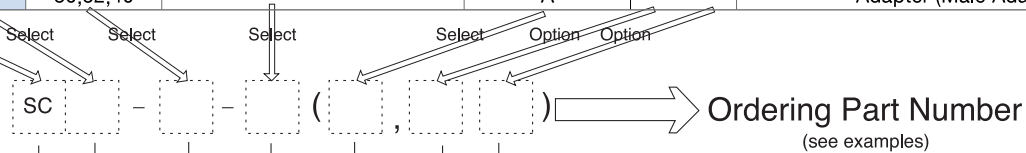
- Rugged
- Simple construction
- Stable mechanical / Electrical performances

Applications

- Electric / Electronic
- Communication

Part Numbering

Product Number		Size	Number of Contacts	Suffix (Body Type)	Option	Notes
Series	Prefix				L/T	
SC	K	12,16,20,25, 30,32,40	12 size:2 or 4 16 size:2,3,4,5,6,7,8 20 size:2,3,4,5,6,8,10,20 25 size:2,3,4,5,6,8,10,12 30 size:2,3,4,6,8,10,14 32 size:2,3,4 40 size:2,3,4,12 Check each product for more detail	P	●	SCK series plug
				PL	●	SCK series Right-angle plug
	R			Receptacle (Panel type)		
	RC			Receptacle Cover		
	R			Receptacle (Nut type)		
	RPCB			Receptacle (PCB type)		
	BRPCB			Bulkhead Receptacle		
	P			Plug (Reverse contact)		
	R			Receptacle (Reverse contact)		
	R			Receptacle (Reverse contact)		
P		Adapter (Female Adapter)				
A		Adapter (Male Adapter)				



Examples

- SCK - 12 - 4 (P)**
SCK series - Size 12 Plug - 4 Female Contacts
- SCK - 16 - 8 (R)**
SCK series - Size 16 Panel Type Receptacle - 8 Male Contacts
- SCN - 20 - 10 (R)**
SCN series - Size 20 Nut Type Receptacle - 10 Male Contacts
- SCA - 30 - 2 (P)**
SCA series - Size 30 Adapter - 2 Female Contacts
- SCK - 16 - 4 (P , L/T)**
SCK series - Size 16 Plug - 4 Female Contact (Lock Type)
- SCK - 16 - 8 (PL , L/T)**
SCK series - Size 16 Right Angle Plug - 8 Female Contacts
- SCN - 16 - 7 (RPCB)**
SCN series - Size 16 PCB Receptacle - 7 Male Contacts

Connector Series (Body Type)

- SCK - Plug(Female) / Receptacle(Male)
- SCN - Nut type receptacle(Male)
- SCKH - Plug(Male) / Receptacle(Female)
- SCNH - Receptacle(Female)
- SCA - Adapter

Size

12,16,20,25,30,32,40

No. of Contacts

12 Size : 2 or 4
 16 Size : 2,3,4,5,6,7,8
 20 Size : 2,3,4,5,6,8,10,20
 25 Size : 2,3,4,5,6,8,10,12
 30 Size : 2,3,4,6,8,10,14
 32 Size : 2,3,4
 40 Size : 2,3,4,12

Extended Body Type

- P : Plug
- PL : Right angle Plug
- R : Receptacle
- RPCB : PCB Receptacle
- BRPCB : Bulkhead PCB Receptacle
- RC : Receptacle Cap
- A : Adapter

Option

L/T : Lock type (available in size 16 with 4,5,6,7,8 contacts only)

Specifications subject to change without notice. Consult Sam Woo Electronics for the latest specifications.

■ Major Performances / Contact Arrangements

Performance Size / No. of Contacts		Withstanding Voltage/min.	Current	Insulation Resistance (Minimum)	Contact Resistance (Maximum)	Contact \varnothing	Solder Pot \varnothing	Wire Gauge (Maximum)	Contact Arrangement
12	2	AC 500V	4A	1,000M Ω	5m Ω	2.0	1.2	AWG20	
			3A			1.5	1.2	AWG20	
	4	AC 500V	4A	1,000M Ω	5m Ω	2.0	1.2	AWG20	
			3A			1.0	1.0	AWG20	
16	2	AC 500V	5A	1,000M Ω	5m Ω	2.5	1.5	AWG18	
	3	AC 500V	5A	1,000M Ω	5m Ω	2.5	1.5	AWG18	
	4	AC 500V	5A	1,000M Ω	5m Ω	2.5	1.5	AWG18	
	5	AC 500V	4A	1,000M Ω	5m Ω	2.0	1.2	AWG20	
	6	AC 500V	3A	1,000M Ω	5m Ω	1.2	1.0	AWG20	
	7	AC 500V	3A	1,000M Ω	5m Ω	1.2	1.0	AWG20	
	8	AC 500V	3A	1,000M Ω	5m Ω	1.2	1.0	AWG20	
20	2	AC 1000V	7A	1,000M Ω	5m Ω	3.0	2.2	AWG14	
	3	AC 1000V	7A	1,000M Ω	5m Ω	3.0	2.2	AWG14	
	4	AC 1000V	7A	1,000M Ω	5m Ω	3.0	2.2	AWG14	
	5	AC 1000V	7A	1,000M Ω	5m Ω	3.0	2.2	AWG14	
	6	AC 1000V	4A	1,000M Ω	5m Ω	2.0	1.5	AWG18	
	8	AC 1000V	3A	1,000M Ω	5m Ω	1.5	1.0	AWG20	
	10	AC 1000V	3A	1,000M Ω	5m Ω	1.5	1.0	AWG20	
	20	AC 1000V	2A	1,000M Ω	5m Ω	0.7	0.8	AWG22	

■ Symbol for Contact Diameter

Mark													
Diameter	0,7	1,0	1,2	1,5	1,8	2,0	2,5	3,0	3,5	4,0	4,5	6,0	7,0

Specifications subject to change without notice. Consult Sam Woo Electronics for the latest specifications.

SCN / SCK Series Specifications

Major Performances / Contact Arrangements

Performance Size / No. of Contacts	Withstanding Voltage/min.	Current	Insulation Resistance (Minimum)	Contact Resistance (Maximum)	Contact \varnothing	Solder Pot \varnothing	Wire Gauge (Maximum)	Contact Arrangement	
25	2	AC 1000V	10A	1,000M Ω	5m Ω	3,5	2,7	AWG12	
	3	AC 1000V	10A	1,000M Ω	5m Ω	3,5	2,7	AWG12	
	4	AC 1000V	10A	1,000M Ω	5m Ω	3,5	2,7	AWG12	
	5	AC 1000V	10A	1,000M Ω	5m Ω	3,5	2,7	AWG12	
	6	AC 1000V	4A	1,000M Ω	5m Ω	2,0	1,5	AWG18	
	8	AC 1000V	4A	1,000M Ω	5m Ω	2,0	1,5	AWG18	
	10	AC 1000V	4A	1,000M Ω	5m Ω	2,0	1,5	AWG18	
	12	AC 1000V	4A	1,000M Ω	5m Ω	2,0	1,5	AWG18	
30	2	AC 500V	15A	1,000M Ω	5m Ω	3,5	2,7	AWG12	
	3	AC 500V	15A	1,000M Ω	5m Ω	3,5	2,7	AWG12	
	4	AC 500V	15A	1,000M Ω	5m Ω	3,5	2,7	AWG12	
	6	AC 1000V	15A	1,000M Ω	5m Ω	3,5	2,7	AWG12	
	8	AC 1000V	15A	1,000M Ω	5m Ω	3,5	2,7	AWG12	
	10	AC 1000V	5A	1,000M Ω	5m Ω	2,5	2,2	AWG14	
	14	AC 1000V	4A	1,000M Ω	5m Ω	1,8	1,2	AWG20	

Symbol for Contact Diameter

Mark													
Diameter	0,7	1,0	1,2	1,5	1,8	2,0	2,5	3,0	3,5	4,0	4,5	6,0	7,0

Specifications subject to change without notice. Consult Sam Woo Electronics for the latest specifications.

■ Major Performances / Contact Arrangements

Performance Size / No. of Contacts		Withstanding Voltage/min.	Current	Insulation Resistance (Minimum)	Contact Resistance (Maximum)	Contact \varnothing	Solder Pot \varnothing	Wire Gauge (Maximum)	Contact Arrangement
32	2	AC 1000V	40A	1,000M Ω	5m Ω	7.0	4.1	AWG8	
	3	AC 1000V	40A	1,000M Ω	5m Ω	7.0	4.1	AWG8	
	4	AC 1000V	30A	1,000M Ω	5m Ω	6.0	4.2	AWG6	
40	2	AC 1000V	40A	1,000M Ω	5m Ω	7.0	4.5	AWG6	
	3	AC 1000V	40A	1,000M Ω	5m Ω	7.0	4.5	AWG6	
	4	AC 1000V	40A	1,000M Ω	5m Ω	7.0	4.5	AWG6	
	12	AC 1000V	10A	1,000M Ω	5m Ω	3.0	2.0	AWG14	
4A			2.0			1.5	AWG18		

! ¹ Withstanding voltage is the tested voltage value in this table.
 ! ² Insulation resistance is measured at DC 100V.
³ Contact resistance is measured at DC 1A.
 • Values are from tested items and may not apply to all connectors.
⁴ Connector contact arrangement is from mating surface.

■ Symbol for Contact Diameter

Mark													
Diameter	0,7	1,0	1,2	1,5	1,8	2,0	2,5	3,0	3,5	4,0	4,5	6,0	7,0

■ Material Used / Finish

		Material	Finish
Body		Zinc alloy	Ni plating
Insulator	Size 12	PA & Bakelite	Green
	Size 16	Bakelite	Black
	Size 20,25,30	Bakelite	Green
	Size 32,40	Epoxy	Green
Contacts	Male	Brass	Silver or Gold plating
	Female	Brass, Phosphor Bronze	Silver or Gold plating

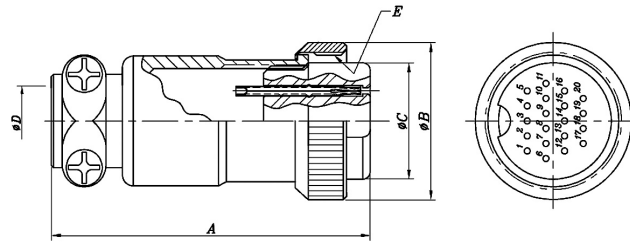
■ SCK / SCN Series Mini-map



Specifications subject to change without notice. Consult Sam Woo Electronics for the latest specifications.

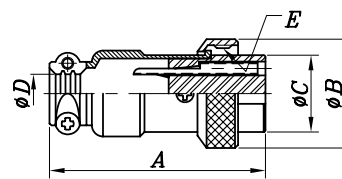


■ SCK Plug



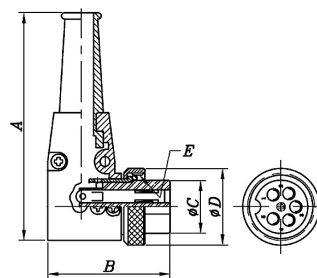
Product Number	A	ø B	ø C	ø D	E					
SCK-12-2(P)	28,6	14,5	9,2	5,0	M13×0,75P					
SCK-12-4(P)										
SCK-16-2(P)	35,7	18,2	12,6	6,4	M16×1,0P					
SCK-16-3(P)										
SCK-16-4(P)										
SCK-16-5(P)										
SCK-20-2(P)										
SCK-20-3(P)	42,5	21,8	15,5	8,2	M19×1,0P					
SCK-20-4(P)										
SCK-20-5(P)										
SCK-20-6(P)										
SCK-20-8(P)										
SCK-20-10(P)										
SCK-20-20(P)										
SCK-25-2(P)						50,0	28,2	21,5	11,0	M25×1,25P
SCK-25-3(P)										
SCK-25-4(P)										
SCK-25-5(P)										
SCK-25-6(P)										
SCK-25-8(P)										
SCK-25-10(P)										
SCK-25-12(P)										
SCK-30-2(P)	53,5	33,0	25,0	13,0	M29×1,0P					
SCK-30-3(P)										
SCK-30-4(P)										
SCK-30-6(P)										
SCK-30-8(P)										
SCK-30-10(P)										
SCK-30-14(P)										
SCK-32-2(P)	59,0	37,8	28,3	15,0	M34×1,0P					
SCK-32-3(P)										
SCK-32-4(P)										
SCK-40-2(P)	67,7	45,5	34,8	18,0	M41,5×1,5P					
SCK-40-3(P)										
SCK-40-4(P)										
SCK-40-12(P)										

■ SCK Series Plug (Lock Type)



Product Number	A	ø B	ø C	ø D	E
SCK-16-4(P, L/T)	36,0	18,2	12,6	6,4	M16×1,0P
SCK-16-5(P, L/T)					
SCK-16-6(P, L/T)					
SCK-16-7(P, L/T)					
SCK-16-8(P, L/T)					

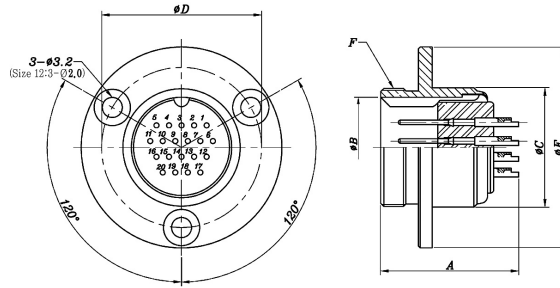
■ SCK Right-Angle Plug



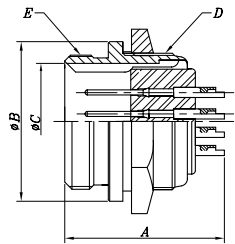
Product Number	A	B	ø C	ø D	E
SCK-16-4(P, L/T)-L	54,0	29	12,6	18,2	M16×1,0P
SCK-16-5(P, L/T)-L					
SCK-16-6(P, L/T)-L					
SCK-16-7(P, L/T)-L					
SCK-16-8(P, L/T)-L					

Specifications subject to change without notice. Consult Sam Woo Electronics for the latest specifications.

■ SCK Receptacle



■ SCN Receptacle



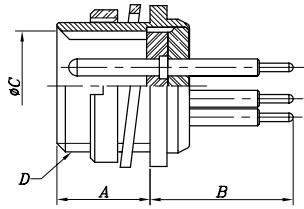
Product Number	A	ϕB	ϕC	D	E					
SCN-12-2(R)	17,3	15,0	9,6	M12×0,75P	M13×0,75P					
SCN-12-4(R)										
SCN-16-2(R)	20,6	18,8	13,0	M16×0,75P	M16×1,0P					
SCN-16-3(R)										
SCN-16-4(R)										
SCN-16-5(R)										
SCN-16-6(R)										
SCN-16-7(R)										
SCN-16-8(R)										
SCN-20-2(R)						22,0	23,0	15,9	M19×0,75P	M19×1,0P
SCN-20-3(R)										
SCN-20-4(R)										
SCN-20-5(R)										
SCN-20-6(R)										
SCN-20-8(R)										
SCN-20-10(R)										
SCN-20-20(R)										
SCN-25-2(R)	28,0	29,0	21,9	M25×1,0P	M25×1,25P					
SCN-25-3(R)										
SCN-25-4(R)										
SCN-25-5(R)										
SCN-25-6(R)										
SCN-25-8(R)										
SCN-25-10(R)										
SCN-25-12(R)										

Product Number	A	ϕB	ϕC	ϕD	ϕE	F						
SCK-12-2(R)	17,3	9,6	11,8	17,0	22,0	M13×0,75P						
SCK-12-4(R)												
SCK-16-2(R)	21,0	13,0	15,9	24,0	30,7	M16×1,0P						
SCK-16-3(R)												
SCK-16-4(R)												
SCK-16-5(R)												
SCK-16-6(R)												
SCK-16-7(R)												
SCK-16-8(R)												
SCK-20-2(R)							22,0	16,0	19,0	25,5	32,0	M19×1,0P
SCK-20-3(R)												
SCK-20-4(R)												
SCK-20-5(R)												
SCK-20-6(R)												
SCK-20-8(R)												
SCK-20-10(R)												
SCK-20-20(R)												
SCK-25-2(R)	27,5	21,9	25,0	34,0	42,0	M25×1,25P						
SCK-25-3(R)												
SCK-25-4(R)												
SCK-25-5(R)												
SCK-25-6(R)												
SCK-25-8(R)												
SCK-25-10(R)												
SCK-25-12(R)												
SCK-30-2(R)							28,2	25,7	29,0	37,0	45,5	M29×1,0P
SCK-30-3(R)												
SCK-30-4(R)												
SCK-30-6(R)												
SCK-30-8(R)												
SCK-30-10(R)												
SCK-30-14(R)												
SCK-32-2(R)	33,5	28,9	32,0	42,0	50,8	M34×1,0P						
SCK-32-3(R)												
SCK-32-4(R)												
SCK-40-2(R)							39,5	35,5	40,0	50,0	58,0	M41,5×1,5P
SCK-40-3(R)												
SCK-40-4(R)												
SCK-40-12(R)												

Specifications subject to change without notice. Consult Sam Woo Electronics for the latest specifications.

SCN / SCK Series SCN Male / PCB Type Receptacle

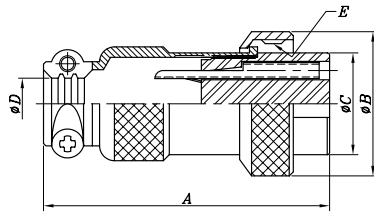
■ SCN PCB Receptacle Solder type also available



Product Number	A	B	ϕC	D
SCN-16-2(BRPCB)	11,0	11,7~17,7 (Customizable)	13	M16×1,0P
SCN-16-3(BRPCB)				
SCN-16-4(BRPCB)				
SCN-16-5(BRPCB)				
SCN-16-6(BRPCB)				
SCN-16-7(BRPCB)				
SCN-16-8(BRPCB)				
SCN-20-3(BRPCB)	12,5	11,7~17,7 (Customizable)	16	M19×1,0P
SCN-20-4(BRPCB)				

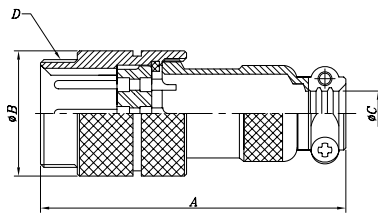
Specifications subject to change without notice. Consult Sam Woo Electronics for the latest specifications.

■ SCA Adapter (Female Contact)



Product Number	A	φ B	φ C	φ D	E					
SCA-16-2(P)	35,7	18,2	12,6	6,4	M16×1,0P					
SCA-16-3(P)										
SCA-16-4(P)										
SCA-16-5(P)										
SCA-20-2(P)	42,5	21,8	15,5	8,2	M19×1,0P					
SCA-20-3(P)										
SCA-20-4(P)										
SCA-20-5(P)										
SCA-20-6(P)										
SCA-20-8(P)										
SCA-20-10(P)										
SCA-20-20(P)										
SCA-25-2(P)	50,0	28,2	21,5	11,0	M25×1,25P					
SCA-25-3(P)										
SCA-25-4(P)										
SCA-25-5(P)										
SCA-25-6(P)										
SCA-25-8(P)										
SCA-25-10(P)										
SCA-25-12(P)										
SCA-30-2(P)						53,5	33,0	25,0	13,0	M29×1,0P
SCA-30-3(P)										
SCA-30-4(P)										
SCA-30-6(P)										
SCA-30-8(P)										
SCA-32-2(P)	59,0	38,2	28,0	15,0	M34×1,0P					
SCA-32-3(P)										
SCA-32-4(P)										
SCA-40-2(P)	67,7	45,5	34,8	18,0	M41,5×1,5P					
SCA-40-3(P)										
SCA-40-4(P)										
SCA-40-12(P)										

■ SCA Adapter (Male Contact)



Product Number	A	φ B	φ C	D				
SCA-16-2(A)	43,7	18,2	6,4	M16×1,0P				
SCA-16-3(A)								
SCA-16-4(A)								
SCA-16-5(A)								
SCA-20-2(A)	49,0	21,8	8,2	M19×1,0P				
SCA-20-3(A)								
SCA-20-4(A)								
SCA-20-5(A)								
SCA-20-6(A)								
SCA-20-8(A)								
SCA-20-10(A)								
SCA-20-20(A)								
SCA-25-2(A)	56,2	28,2	11,0	M25×1,25P				
SCA-25-3(A)								
SCA-25-4(A)								
SCA-25-5(A)								
SCA-25-6(A)								
SCA-25-8(A)								
SCA-25-10(A)								
SCA-25-12(A)								
SCA-30-2(A)					62,0	33,0	13,0	M29×1,0P
SCA-30-3(A)								
SCA-30-4(A)								
SCA-30-6(A)								
SCA-30-8(A)								
SCA-32-2(A)	67,5	38,2	15,0	M34×1,0P				
SCA-32-3(A)								
SCA-32-4(A)								
SCA-40-2(A)	74,5	45,5	18,0	M41,5×1,5P				
SCA-40-3(A)								
SCA-40-4(A)								
SCA-40-12(A)								

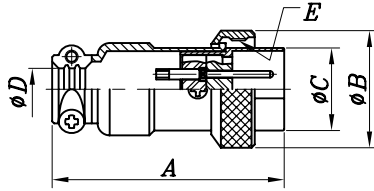
■ SCA Adapter (Set)



SCA Adapter sets are available.
 SCA sets include both Male and Female adapter.
 To order a set, choose (P,A) at the end of part number.

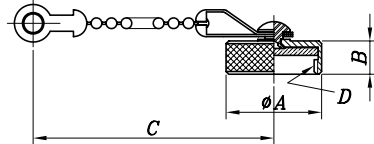
ex) To order SCA-25-10(P) and SCA-25-10(A),
 Select SCA-25-10(P,A)

■ SCKH Plug



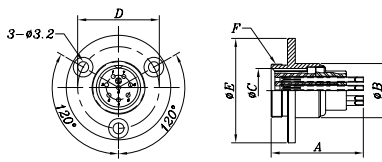
Product Number	A	∅ B	∅ C	∅ D	E
SCKH-16-4(P)	36,0	18,2	12,7	6,4	M16×1,0P
SCKH-16-5(P)					
SCKH-16-8(P)					
SCKH-20-18(P)	42,3	21,8	15,6	8,2	M19×1,0P
SCKH-25-2(P)	50,0	28,2	21,5	11,0	M25×1,25P
SCKH-25-4(P)					
SCKH-30-2(P)	54,0	33,0	25,0	13,0	M29×1,0P

■ SCK Receptacle Cap



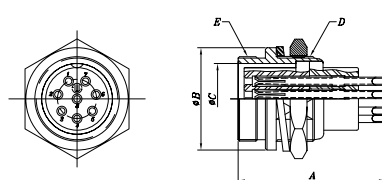
Product Number	∅ A	B	C	D
SCK-12(RC)	14,7	4,7	130	M13×0,75P
SCK-16(RC)	18,0	6,2	130	M16×1,0P
SCK-20(RC)	21,8	7,2	170	M19×1,0P
SCK-25(RC)	28,3	7,0	170	M25×1,25P
SCK-30(RC)	32,8	7,7	170	M29×1,0P
SCK-32(RC)	37,8	8,2	170	M34×1,0P
SCK-40(RC)	45,5	9,2	170	M41,5×1,5P

■ SCKH Receptacle



Product Number	A	∅ B	∅ C	∅ D	∅ E	F
SCKH-16-4(R)	28,2	15,9	13,0	24,0	30,7	M16×1,0P
SCKH-16-5(R)						
SCKH-16-8(R)						
SCKH-20-18(R)	20,6	19	15,9	25,5	32,0	M19×1,0P
SCKH-25-2(R)	31,0	25,0	21,9	34,0	42,0	M25×1,25P
SCKH-25-4(R)						
SCKH-30-2(R)	31,0	29,0	25,7	37,0	45,5	M29×1,0P

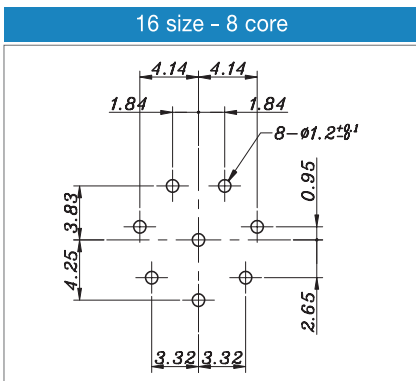
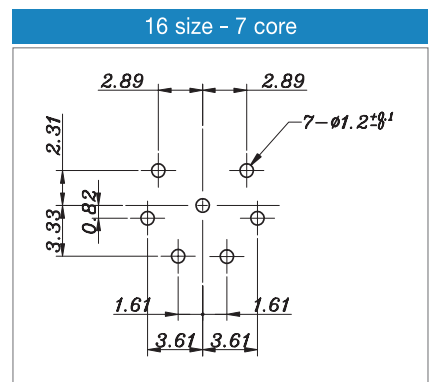
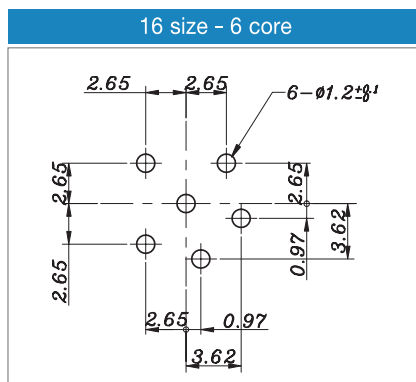
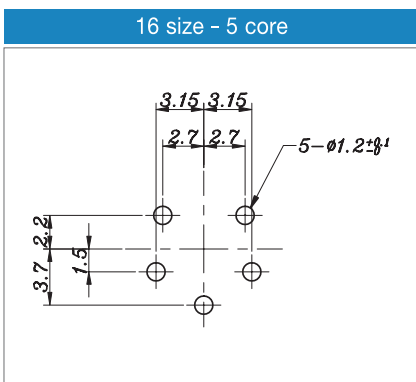
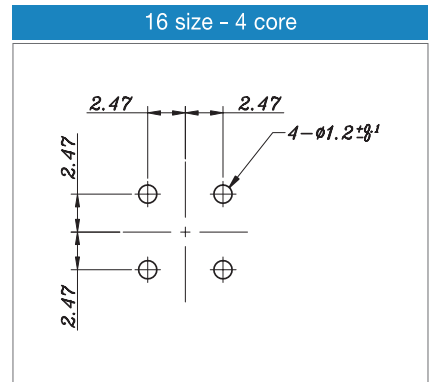
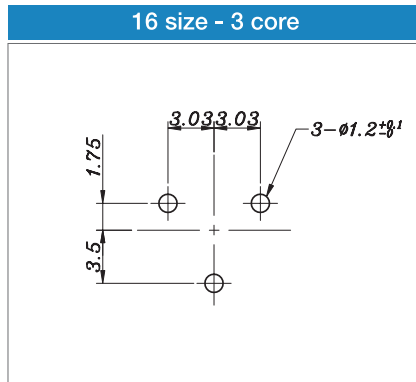
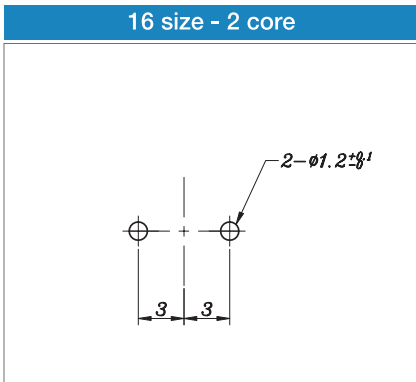
■ SCNH Receptacle



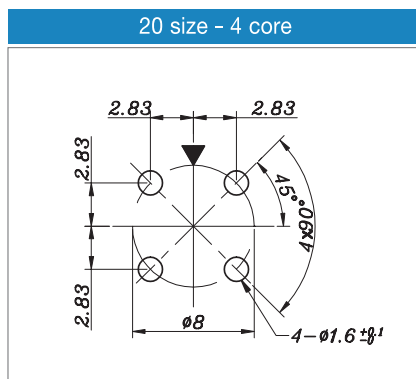
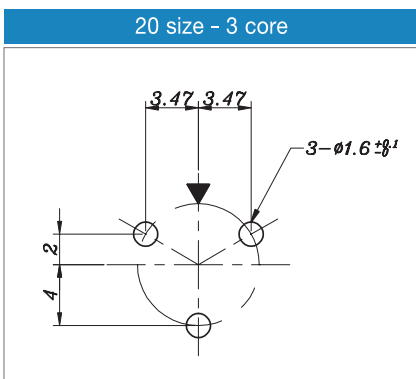
Product Number	A	∅ B	∅ C	D	E
SCNH-16-4(R)	20,6	18,8	13,0	M16×0,75P	M16×1,0P
SCNH-16-5(R)					
SCNH-16-8(R)					
SCNH-20-18(R)	20,5	23,0	15,9	M19×0,75P	M19×1,0P
SCNH-25-2(R)	22,0	29,0	21,9	M25×1,0P	M25×1,25P
SCNH-25-4(R)					

Specifications subject to change without notice. Consult Sam Woo Electronics for the latest specifications.

■ SCN-16 BRPCB Series PCB Hole Layout

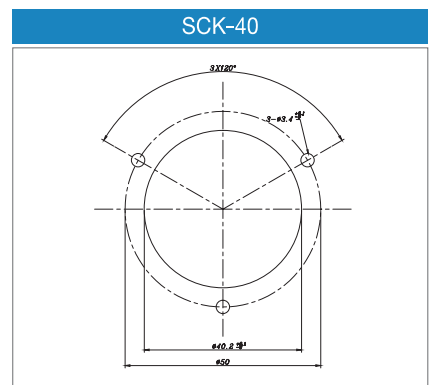
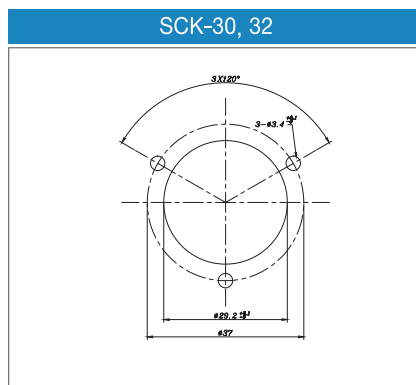
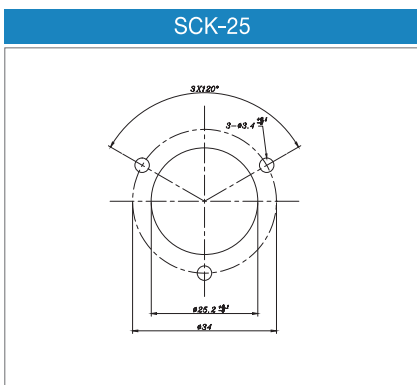
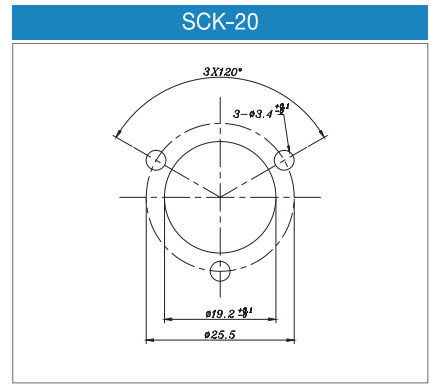
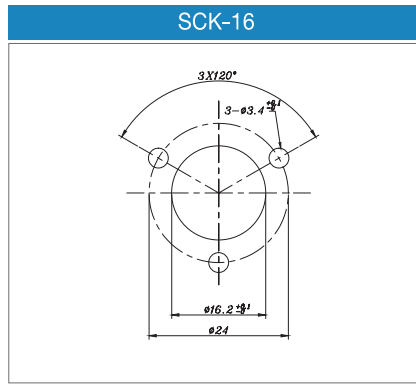
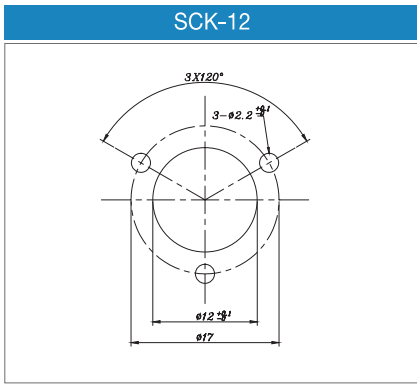


■ SCN-20 BRPCB Series PCB Hole Layout

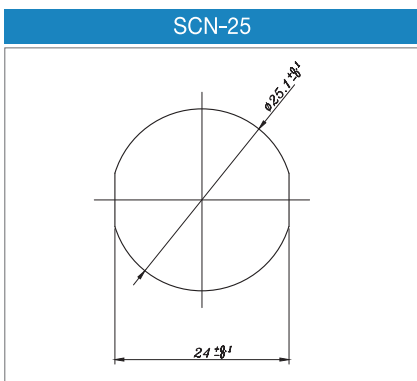
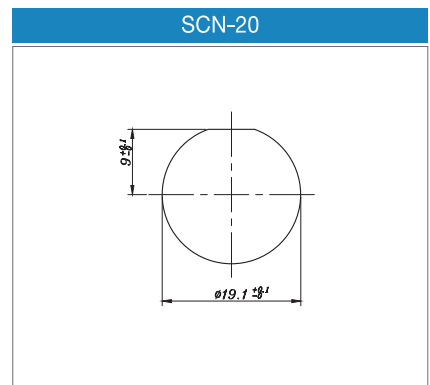
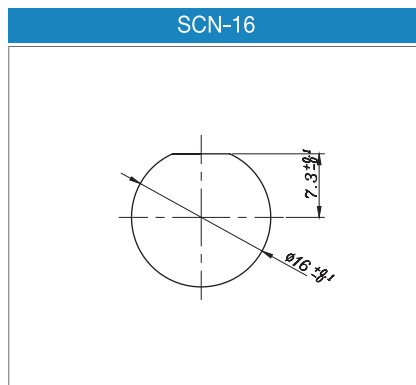
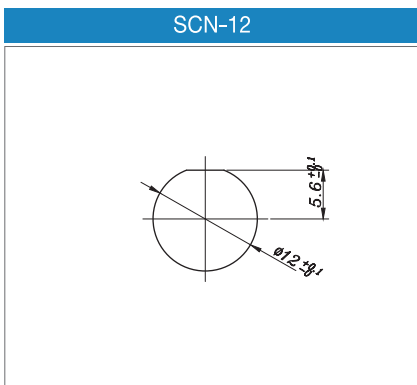


Specifications subject to change without notice. Consult Sam Woo Electronics for the latest specifications.

■ SCK Series Panel Layout



■ SCN Series Panel Lay Out



Specifications subject to change without notice. Consult Sam Woo Electronics for the latest specifications.



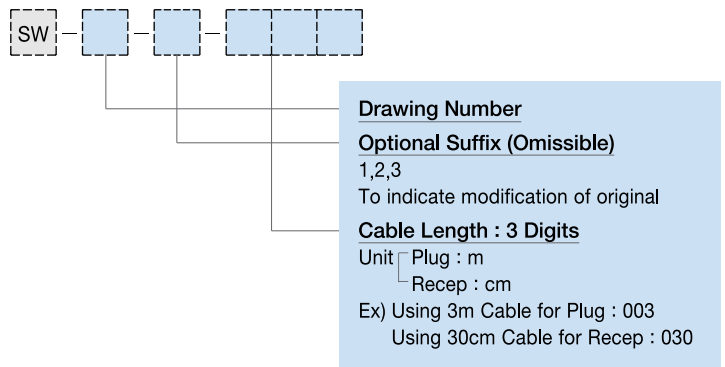
Features

- Rugged
- Simple construction
- Stable mechanical / Electrical performances
- Standard and Custom Design

Applications

- Electric / Electronic
- Communication

■ **Part Numbering**



■ **Plug Cable Assembly**



Type	Construction
A	SCK Connector + Cable + Housing
B	SCK Connector + Cable + SCK Connector

※ Design and Customization Service Available

■ **Receptacle Cable Assembly**



Type	Construction
A	SCK Connector + wire + open end
B	SCK Connector + wire + Housing
C	SCK Connector + wire + Housing with core

※ Design and Customization Service Available

Specifications subject to change without notice. Consult Sam Woo Electronics for the latest specifications.